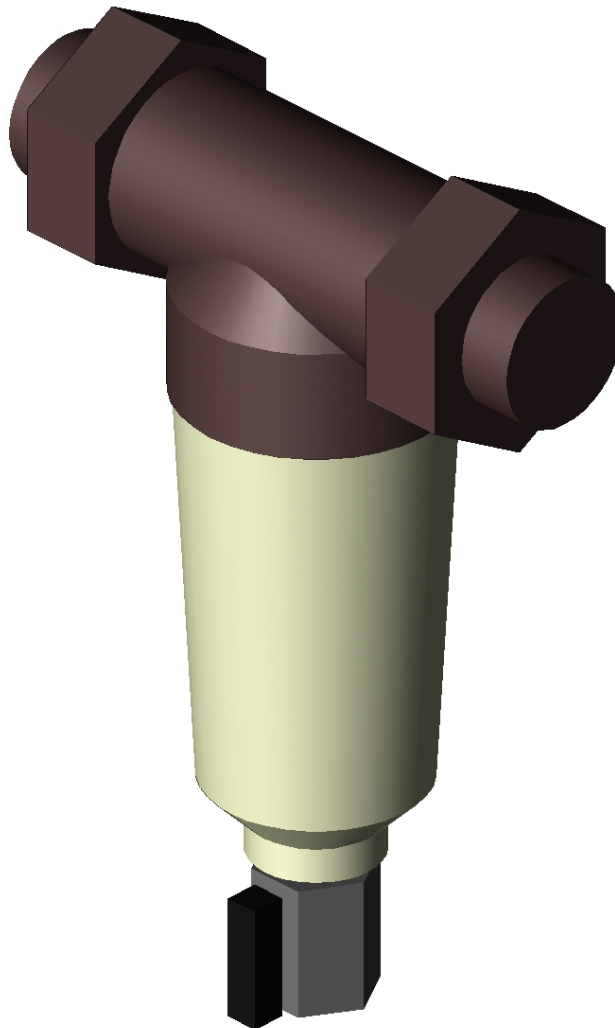


## FF06-1AA

CAD DATA

### 3D Functions

(click on picture to activate)



### CAD Files

(double click on top of icon to open, right click to save)

[Honeywell\\_FF06-1AA\\_3D.dxf \(DXF V2004\)](#)  
[Honeywell\\_FF06-1AA\\_3D.dwg \(DWG V2004\)](#)  
[Honeywell\\_FF06-1AA\\_3D.stp \(STEP AP214\)](#)  
[Honeywell\\_FF06-1AA\\_3D.igs \(IGES 5.3\)](#)  
[Honeywell\\_FF06-1AA\\_3D.sat \(SAT 7.0\)](#)  
[Honeywell\\_FF06-1AA\\_2D\\_Left.dwg \(DWG V2004\)](#)  
[Honeywell\\_FF06-1AA\\_2D\\_Right.dwg \(DWG V2004\)](#)  
[Honeywell\\_FF06-1AA\\_2D\\_Front.dwg \(DWG V2004\)](#)  
[Honeywell\\_FF06-1AA\\_2D\\_Top.dwg \(DWG V2004\)](#)

Product data	
Brand:	Honeywell
Date:	11.18.2010
DN size (mm):	25
Max. media temp:	40 °C
Static pressure:	16 bar
Kvs value:	7.2 m <sup>3</sup> /h