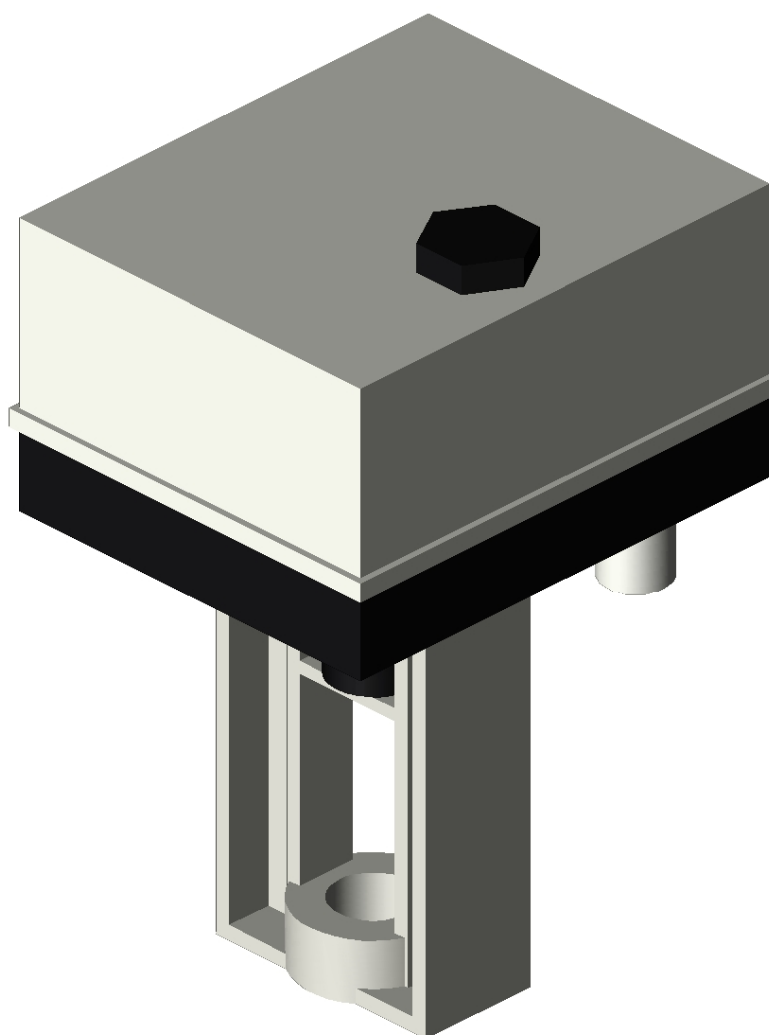


MT010-N

CAD DATA

3D Functions

(click on picture to activate)



CAD Files

(double click on top of icon to open, right click to save)

- [Honeywell_MT010-N_3D.dxf \(DXF V2004\)](#)
- [Honeywell_MT010-N_3D.dwg \(DWG V2004\)](#)
- [Honeywell_MT010-N_3D.stp \(STEP AP214\)](#)
- [Honeywell_MT010-N_3D.igs \(IGES 5.3\)](#)
- [Honeywell_MT010-N_3D.sat \(SAT 7.0\)](#)
- [Honeywell_MT010-N_2D_Left.dwg \(DWG V2004\)](#)
- [Honeywell_MT010-N_2D_Right.dwg \(DWG V2004\)](#)
- [Honeywell_MT010-N_2D_Front.dwg \(DWG V2004\)](#)
- [Honeywell_MT010-N_2D_Top.dwg \(DWG V2004\)](#)

Product data	
Brand:	Honeywell
Date:	30.03.2011